

5342A-58C-S

S E R V I C E N O T E

SUPERSEDES:5342A-58B-S

HP 5342A Microwave Frequency Counter

Support Strut for the HP 5342A Microwave Frequency Counter

Serial Numbers: 0000A00000 / 2636A10913

Duplicate Service Notes:

5343A-31C-S
5344A-1A-S

To Be Performed By: HP-Qualified Personnel/Customer

Parts Required:

HP Part Number	Qty.	Description
05342-00045	1	Support Strut
0515-1331	2	Screw-Metric
05342-60074 *	1	Top Cover
7120-6827 *	1	Label-Operating

* Only required if top cover measures less than 469.6mm (See text)

Continued

DATE: 13 January 1993

ADMINISTRATIVE INFORMATION

SERVICE NOTE CLASSIFICATION:

SAFETY

ACTION CATEGORY:	<input type="checkbox"/> ON SPECIFIED FAILURE <input checked="" type="checkbox"/> AGREEABLE TIME	STANDARDS: LABOR: 1.0 Hour
LOCATION CATEGORY:	<input checked="" type="checkbox"/> CUSTOMER INSTALLABLE <input type="checkbox"/> ON-SITE <input type="checkbox"/> HP LOCATION	SERVICE INVENTORY: <input type="checkbox"/> RETURN <input type="checkbox"/> SCRAP <input type="checkbox"/> SEE TEXT
AVAILABILITY:	ALWAYS	USED PARTS: <input type="checkbox"/> RETURN <input checked="" type="checkbox"/> SCRAP <input type="checkbox"/> SEE TEXT
AUTHOR:MD	ENTITY: 0200	RESPONSIBLE ENTITY: UNTIL: ALWAYS
		ADDITIONAL INFORMATION:

© 1993 HEWLETT-PACKARD COMPANY
PRINTED IN U.S.A.



Situation:

The cabinet framework of HP 5342A/43A/44A Microwave Frequency Counters and HP 5344A Microwave Source Synchronizers with serial prefix 2636A and below does not ensure that the front and rear castings will remain in parallelism. When the front and rear castings are out of parallelism, it creates a condition where the top cover may not be fully captured, and could work loose upon application of an added force. Since the carrying handle is attached to the top cover, the unit could fall if it is lifted by the handle.

Solution:

Installing a support strut eliminates this potential safety problem.

As an additional precaution, measure the length of the top cover from the front end to the fold of the back end. This should measure 470 mm \pm 0.4mm. If the top cover measures shorter than 469.6mm, then replace the top cover with part number 05342-60074. (See step 4 below.)

WARNING

Before performing any of the following procedures, the following steps must be performed.

- Set LINE ON-STBY switch to STBY position.
- Remove line power cable from Input Power Module at rear.
- Ensure that you are in an anti-static environment.

Installation Procedure:

1. At top rear of HP 5342A/43A/44A, remove pozidrive screw from rear cap retainer and remove retainer.
2. Slide top cover back until free from frame and lift off.
3. Attach support strut, P/N 05342-00045, to the top left side of the cabinet framework with two metric screws, P/N 0515-1331. See Figure 1 for proper orientation of the HP 5342A/43A/44A.

NOTE

Appropriate screw holes are already drilled in cabinet framework. Do not attempt to drill additional holes.

4. Measure the top cover from the front end to the fold of the back end. If it measures less than 469.6mm, then replace the top cover with P/N 05342-60074. Add Operating Label, P/N 7120-6827, to the new Top Cover.

IF THE TOP COVER MEASURES WITHIN THE SPECIFIED TOLERANCE OF 470mm \pm 0.4mm, IT SHOULD NOT BE REPLACED.

NOTE

HP Part No. 05342-60074 is a System II+ top cover, which may have slightly different coloring than the trim and bottom cover. If desired, the following System II+ parts may be ordered for color coordination. (THESE PARTS ARE NOT COVERED UNDER WARRANTY BY THIS SAFETY NOTE.)

HP Part	Qty.	Description
05342-60146	1	Bottom Cover
5001-0539	2	Trim - Side Front
5041-8803	1	Trim - Front Frame Top
5041-8820	1	Cap Retainer - Strap Handle
7120-6629	1	Label - "REMOVE FEET" Bottom Cover

5. Reassemble the HP 5342A/43A/44A with the proper top cover.

The installation is now complete.

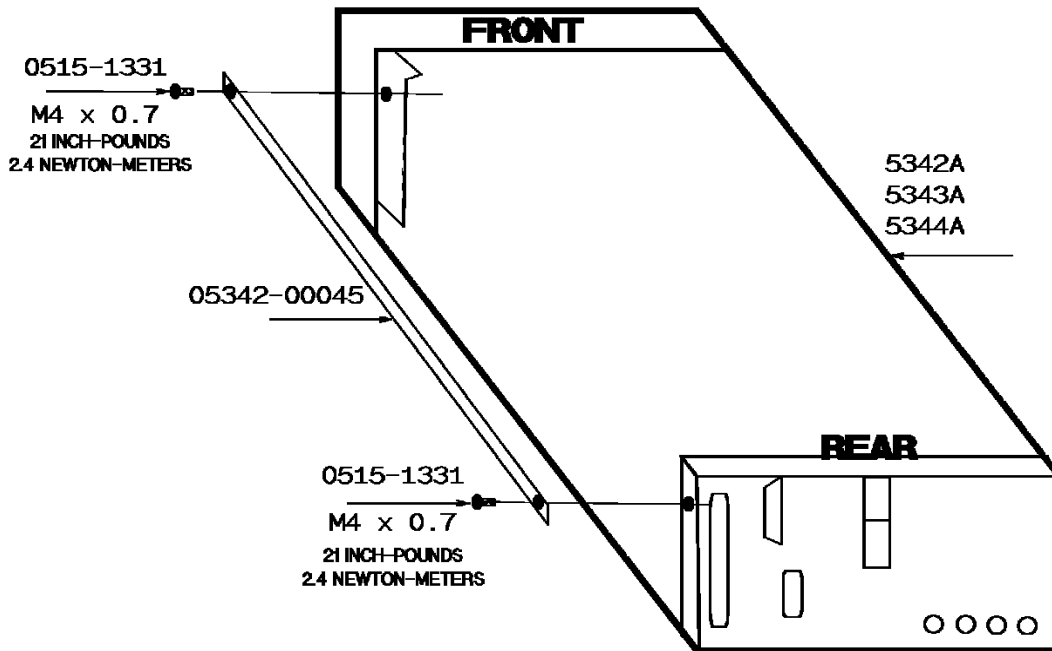


Figure 1. HP 5342A/43A/44A Orientation and Support Strut Installation